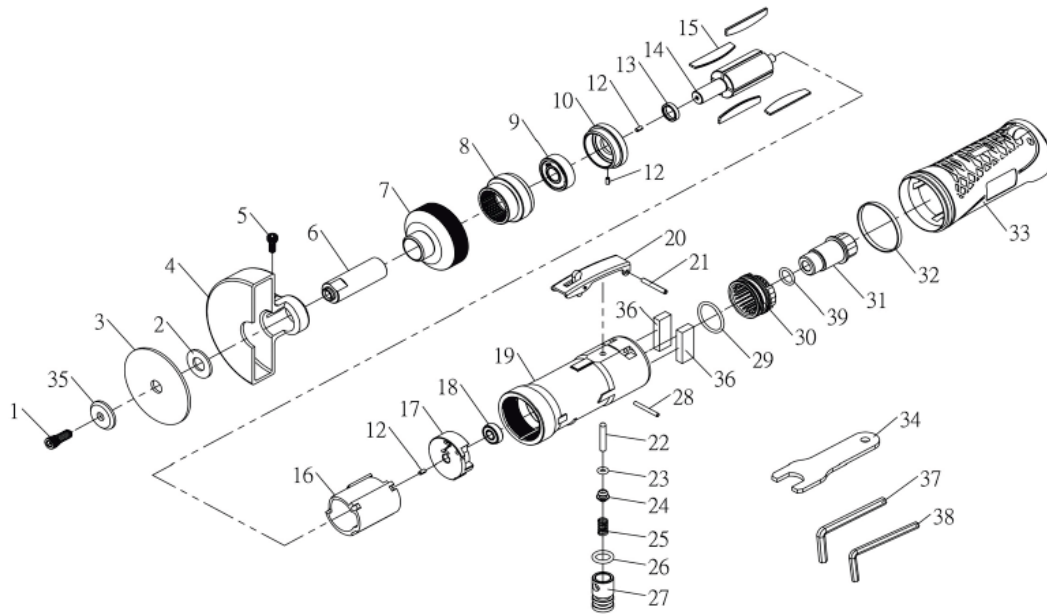


LISTE DES PIÈCES ET VUE ÉCLATÉE



SHP215

INDEX NO.	DESCRIPTION	REQ'D NO.	INDEX NO.	DESCRIPTION	REQ'D NO.
01	Hex. Screw	1	21	Spring Pin	1
02	Wheel Washer	1	22	Valve Shaft	1
03	Wheel	1	23	O-Ring	1
04	Wheel Cover	1	24	Throttle Valve	1
05	Cap Screw	1	25	Valve Spring	1
06	Spindle	1	26	O-Ring	1
07	Housing Cap	1	27	Air Regulator	1
08	Lock Ring	1	28	Spring Pin	1
09	Ball Bearing	1	29	O-Ring	1
10	Front End Plate	1	30	Exhaust Sleeve	1
12	Spring Pin	3	31	Inlet Bushing	1
13	Bearing Spacer	1	32	Rubber Band	1
14	Rotor	1	33	Housing Cover	1
15	Rotor Blade	4	34	#14mm Spanner	1
16	Cylinder	1	35	Spacer	1
17	Rear End Plate	1	36	Muffler	2
18	Ball Bearing	1	37	Allen Wrench (3/16")	1
19	Motor Housing	1	38	Hex. Wrench (4mm)	1
20	Safety Lever	1	39	O-Ring	1